

MAX400/410



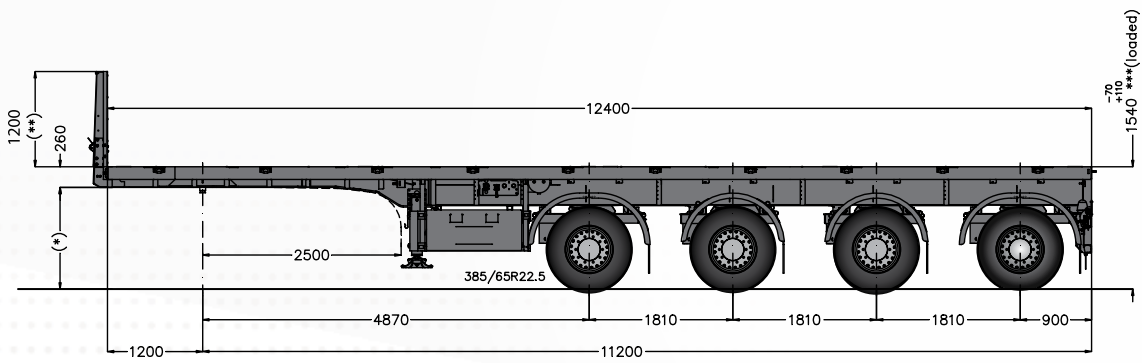
Axles	4
Suspension	pneumatic
Steering	friction steered, hydraulic steering
Width	2.540 mm

- ✓ Axles SAF
- ✓ Single tyres 22.5"
- ✓ Fifth wheel height loaded: 1.280 – 1.400 mm

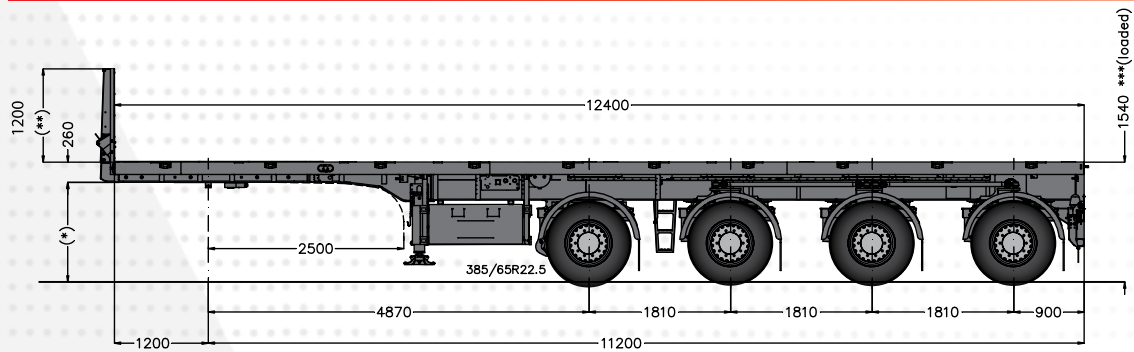
>> Technical data

- Axles with drum brake, pneumatic suspension with lifting/lowering valve
- Tyres 385/65 R 22.5 GY R RHT II according to choice of the manufacturer
- Top quality and long-lived protection against corrosion of the welded frame (standard steel grid blasted) guaranteed by
 - a 2 components of 2K zinc rich epoxy primer
 - a high quality 2 components 2K direct to metal top coat
- Rear end metalized and painted in RAL 9010 (Reinweiss)
- Electric system conform to the EU-regulations lighting 24 volt ASPÖCK-NORDIK (ASS3)
- ASPÖCK-UNIBOX on the galvanized front connection ledge with socket 24N, 24S & 15 pole. Connection to the ISO norm
- Reflectors (red or yellow) according to the EU regulation at the rear
- Yellow reflective tape according to the EU regulation over the entire length, on the extension and at the rear
- Manual and description
- Landing gears JOST (mechanic) with 2 speeds, lifting capacity 24t (50t proof load)
- 2 wheel chocks with carrier
- King pin 2"
- Storage for stakes in the central carrier
- Red and yellow air couplings on the galvanised front connection ledge
- Axle tools
- Braking system following EU-regulations with EBS-E (4S3M) system, without connection to the truck
- A mud flap (www.MAX Trailer.eu) at the rear of the trailer
- Holder for one beacon light at the rear of the trailer
- One galvanised steel headboard, height ± 1200 mm
- On the right and left side under the gooseneck and at the rear of the trailer one holder for the warning boards and socket

MAX400-N-4-12.40-22.5-2.54



MAX410-Z-4-12.40-22.5-2.54



» Options

